

Control Modes

- Profile Position-Velocity-Torque, Interpolated Position, Homing
- Camming, Gearing
- Indexer

DIGITAL SERVO DRIVE
FOR BRUSHLESS/BRUSH MOTORS

Command Interface

- CANopen
- ASCII and discrete I/O
- Stepper commands
- ±10V position/velocity/torque command
- PWM velocity/torque command
- Master encoder (Gearing/Camming)



Communications

- CANopen
- RS-232



Feedback

- Digital quad A/B encoder
Analog sin/cos incremental
Panasonic Incremental A Format
- SSI, EnDat, Absolute A
Tamagawa & Panasonic Absolute A
Sanyo Denki Absolute A,
BiSS, BiSS
- Aux. encoder
- Digital Halls

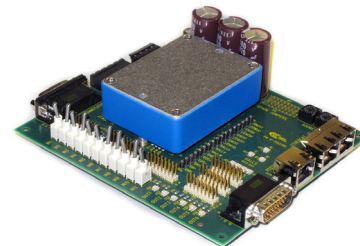
Model	Ic	Ip	Vdc
APM-090-06	3	6	14-90
APM-090-14	7	14	14-90
APM-090-30	15	30	14-90

I/O

- Digital: 11 inputs, 6 outputs
- Analog: 1, 12-bit input

Dimensions: mm [in]

- 76.3 x 58.2 x 20.5 [3.01 x 2.29 x 0.81]



DEVELOPMENT KIT

DESCRIPTION

Accelnet APM is a high-performance, DC powered servo drive for position, velocity, and torque control of brushless and brush motors via CANopen. Using advanced FPGA technology, the APM provides a significant reduction in the cost per node in multi-axis CANopen systems.

The APM operates as an CANopen node using the CANopen over CANopen (CoE) protocol of DSP-402 for motion control devices. Supported modes include: Profile Position-Velocity-Torque, Interpolated Position Mode (PVT), and Homing.

Command sources also include ±10V analog torque/velocity/position, PWM torque/velocity, and stepper command pulses.

Feedback from a number of incremental and absolute encoders is supported.

Nine high-speed digital inputs with programmable functions are provided, and a low-speed input for motor temperature switches.

An SLI (Switch & LED Interface) function is supported by another high-speed input and four high-speed digital outputs. If not used for SLI, the input and outputs are programmable for other functions. Two open-drain MOSFET outputs can drive loads powered up to 24 Vdc.

An RS-232 serial port provides a connection to Copley's CME2 software for commissioning, firmware upgrading, and saving configurations to flash memory.

Drive power is transformer-isolated DC from regulated or unregulated power supplies. An AuxHV input is provided for "keep-alive" operation permitting the drive power stage to be completely powered down without losing position information, or communications with the control system.

GENERAL SPECIFICATIONS

Test conditions: Load = Wye connected load: 2 mH + 2 Ω line-line. Ambient temperature = 25°C, +HV = HV_{max}

MODEL	APM-090-06	APM-090-14	APM-090-30	Units	
OUTPUT POWER					
Peak Current	6	14	30	A	DC, sinusoidal
	4.2	10	21	A	RMS, sinusoidal
Peak time	1	1	1	s	Sec
Continuous current	3	7	15	A	DC, sinusoidal
	2.1	5	10.6	A	RMS, sinusoidal
Maximum Output Voltage				V	Vout = HV*0.97 - Rout*Iout

INPUT POWER					
HVmin~HVmax	+14 to +90	+14 to +90	+14 to +90	V	DC, transformer-isolated
Ipeak	6	14	30	A	For 1 sec
Icont	3	7	15	A	Continuous
Aux HV		+14 to +HV Vdc @ 500 mAdc maximum, 2.5 W			

PWM OUTPUTS					
Type	3-phase MOSFET inverter, 16 kHz center-weighted PWM, space-vector modulation				
PWM ripple frequency	32 kHz				

DIGITAL CONTROL					
Digital Control Loops	Current, velocity, position. 100% digital loop control				
Sampling rate (time)	Current loop: 16 kHz (62.5 μs), Velocity & position loops: 4 kHz (250 μs)				
Commutation	Sinusoidal, field-oriented control for brushless motors				
Modulation	Center-weighted PWM with space-vector modulation				
Bandwidth	Current loop: 2.5 kHz typical, bandwidth will vary with tuning & load inductance				
HV Compensation	Changes in bus voltage do not affect bandwidth				
Minimum load inductance	200 μH line-line				

COMMAND INPUTS					
CANopen	Galvanically isolated from drive circuits				
Signals	CAN_H, CAN_L, CAN_GND, 1 mBit/sec maximum				
Data protocol	CANopen Device Profile DSP-402 over CANopen (CoE)				
Node-ID Selection	Programmable, or via digital inputs				
Analog	±10 Vdc, torque/velocity/position control				
Digital position reference	Pulse/Direction, CW/CCW	Stepper commands (4 MHz maximum rate)			
	Quad A/B Encoder	2 M line/sec, 8 Mcount/sec (after quadrature)			
Digital torque & velocity reference	PWM, Polarity	PWM = 0% - 100%, Polarity = 1/0			
	PWM 50%	PWM = 50% ±50%, no polarity signal required			
	PWM frequency range	1 kHz minimum, 100 kHz maximum			
	PWM minimum pulse width	220 ns			
Indexing	Up to 32 sequences can be launched from inputs or ASCII commands.				
Camming	Up to 10 CAM tables can be stored in flash memory				
ASCII	RS-232, 9600~115,200 Baud, 3-wire, RJ-11 connector				

DIGITAL INPUTS					
Number, type	11				
[IN1~9]	High-speed (HS), 100 ns RC filter, 10 kΩ pull-up to +5 Vdc, +7 Vdc tolerant				
	74AHC14 Schmitt trigger, Vcc = 3.3 Vdc, V _{T+} = 2.39 Vdc, V _{T-} = 0.99 Vdc, V _{H+} = 0.34~1.24 Vdc				
[IN10]	SLI port MISO input, 47 ns RC filter, 10 kΩ pull-up to +5 Vdc				
[IN11]	Motor temperature switch, 330 μs RC filter, 4.99 kΩ pull-up to +5 Vdc				
	74LVC2G14, Vcc = 3.3 Vdc, V _{T+} = 1.48~2.38 Vdc, V _{T-} = 0.7~1.6 Vdc, V _{H+} = 0.46~1.26 Vdc				
Functions	Default functions are shown above, programmable to other functions				

ANALOG INPUT					
Number	1				
Type	Differential, ±10 Vdc, 12-bit resolution, 5 kΩ input impedance				

DIGITAL OUTPUTS					
Number	6, function programmable (defaults shown below)				
Number	6				
[OUT1~2]	Open-drain MOSFET with 1 kΩ pull-up with series diode to +5 Vdc				
	300 mAdc max, +30 Vdc max. Functions programmable				
[OUT3~6]	SLI port MOSI, SCLK, &SS1 signals, 74AHCT125 line drivers; +5 Vdc tolerant				
	Output current: -8 mA source @ V _{OH} = 2.4V, 6 mA sink at V _{OL} = 0.5V				
Functions	Default functions are shown above, programmable to other functions				

FEEDBACK					
Incremental encoders:					
Digital Incremental Encoder	Quadrature signals, (A, /A, B, /B, X, /X), differential (X, /X Index signals not required)				
	RS-422 differential line receivers, 5 MHz maximum line frequency (20 M counts/sec)				
Analog Incremental Encoder	Fault detection for open/shorted inputs, or low signal amplitude, external 121Ω terminators required				
	Sin/Cos, differential, internal 121Ω terminators between ± inputs, 1.0 Vp-p typical, 1.45 Vp-p maximum, Common-mode voltage 0.25 to 3.75 Vdc, ±0.25 V, centered about 2.5 Vdc				
	Signals: Sin(+), Sin(-), Cos(+), Cos(-),				
	Frequency: 230 kHz maximum line (cycle) frequency, interpolation 12 bits/cycle (4096 counts/cycle)				
Absolute encoders:					
Heidenhain EnDat 2.2, SSI	Serial Clock (X, /X), Data (S, /S) signals, differential 4-wire, external 121Ω terminator required for Data				
Heidenhain EnDat 2.2	Clock (X, /X), Data (S, /S), sin/cos (sin+, sin-, cos+, cos-) signals				
	Internal 121Ω terminators between sin/cos inputs, external 121Ω terminator required for Data				
Absolute A, Tamagawa Absolute A, Panasonic Absolute A Format					

BiSS (B&C)

SD+, SD- (S, /S) signals, 2.5 or 4 MHz, 2-wire half-duplex, external 121Ω terminator required
 Position feedback: 13-bit resolution per rev, 16 bit revolution counter (29 bit absolute position data)
 Status data for encoder operating conditions and errors
 MA+, MA- (X, /X), SL+, SL- (S, /S) signals, 4-wire, clock output from drive, data returned from encoder
 External 121Ω terminator required for SL

Commutation:

Digital Hall signals, single-ended, 1.5 μs RC filter, 15 kΩ pull-up to +5 Vdc, 74LVC14 Schmitt trigger
 +5 Vdc ±2% @ 400 mAdc max, current limited to 750 mAdc @ +1 Vdc if output overloaded

Encoder power

RS-232 PORT

Signals
 Mode
 Protocol

RxD, TxD, Gnd for operation as a DTE device
 Full-duplex, DTE serial port for drive setup and control, 9,600 to 115,200 Baud
 ASCII or Binary format

MOTOR CONNECTIONS

Phase U, V, W
 Encoders
 Hall & encoder power
 Motemp [IN11]

PWM outputs to 3-phase ungrounded Wye or delta connected brushless motors, or DC brush motors
 See FEEDBACK section above
 +5 Vdc ±2% @ 400 mAdc max, current limited to 750 mAdc @ +1 Vdc if output overloaded
 Motor overtemperature switch input. Active level programmable, 4.99 kΩ pull-up to +5 Vdc
 Programmable to disable drive when motor over-temperature condition occurs
 All inputs shown above are +5 Vdc tolerant

Voltage range

PROTECTIONS

HV Overvoltage
 HV Undervoltage
 Drive over temperature
 Short circuits
 I²T Current limiting
 Motor over temperature
 Feedback Loss

+HV > HV_{max} Drive outputs turn off until +HV < HV_{max} (See Input Power for HV_{max})
 +HV < +14 Vdc Drive outputs turn off until +HV > +14 Vdc
 Heat plate > 70°C. Drive outputs turn off
 Output to output, output to ground, internal PWM bridge faults
 Programmable: continuous current, peak current, peak time
 Digital inputs programmable to detect motor temperature switch
 Inadequate analog encoder amplitude or missing incremental encoder signals

MECHANICAL & ENVIRONMENTAL

Size
 Weight
 Ambient temperature
 Humidity
 Vibration
 Shock
 Contaminants
 Environment
 Cooling

76.3 x 58.2 x 20.5 [3.01 x 2.29 x 0.81]
 0.27 lb (0.12 kg) without heatsink
 0 to +45°C operating, -40 to +85°C storage
 0 to 95%, non-condensing
 2 g peak, 10~500 Hz (sine), IEC60068-2-6
 10 g, 10 ms, half-sine pulse, IEC60068-2-27
 Pollution degree 2
 IEC68-2: 1990
 Heat sink and/or forced air cooling required for continuous power output

AGENCY STANDARDS CONFORMANCE

In accordance with EC Directive 2014/30/EU (EMC Directive)

EN 55011: 2009/A1:2010 CISPR 11:2009/A1:2010
 Industrial, Scientific, and Medical (ISM) Radio Frequency Equipment –
 Electromagnetic Disturbance Characteristics – Limits and Methods of Measurement
 Group 1, Class A

EN 61000-6-1: 2007 Electromagnetic Compatibility (EMC) – Part 6-1: Generic Standards –
 Immunity for residential, Commercial and Light-industrial Environments

In accordance with EC Directive 2014/35/EU (Low Voltage Directive)

IEC 61010-1:2010 Safety Requirements for Electrical Equipment for Measurement, Control and Laboratory Use

Underwriters Laboratory Standards

UL 61010-1, 3rd Ed.: 2012 Electrical Equipment for Measurement, Control and Laboratory Use;
 Part 1: General Requirements

UL File Number E249894

CANOPEN

Based on the CAN V2.0b physical layer, a robust, two-wire communication bus originally designed for automotive use where low-cost and noise-immunity are essential, CANopen adds support for motion-control devices and command synchronization. The result is a highly effective combination of data-rate and low cost for multi-axis motion control systems. Device synchronization enables multiple axes to coordinate moves as if they were driven from a single control card.

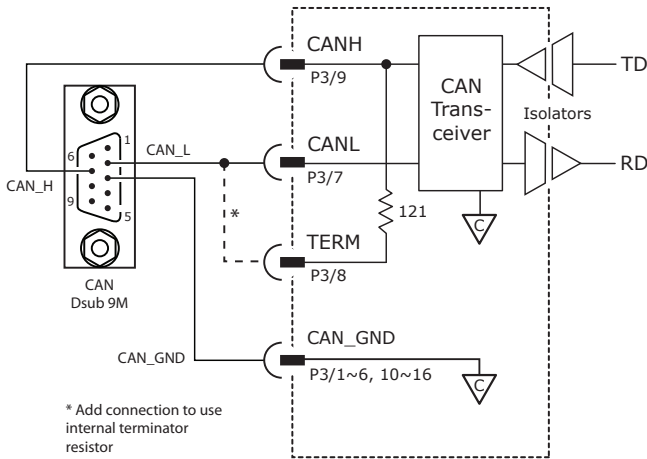
CANOPEN COMMUNICATION

Accelnet uses the CAN physical layer signals CANH, CANL, and GND for connection, and CANopen protocol for communication. Before installing the drive in a CAN system, it must be assigned a CAN Node-ID (address). A maximum of 127 CAN nodes are allowed on a single CAN bus. Up to seven digital inputs can be used to produce CAN Node-IDs from 1~127, or the Node-ID can be saved to flash memory in the module. Node-ID 0 is reserved for the CANopen master on the network.

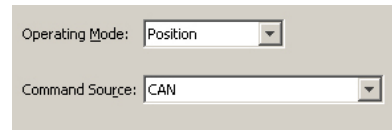
For more information on CANopen communications, download the CANopen Manual from the Copley web-site: CANopen Manual

DIGITAL COMMAND INPUTS

The graphic below shows connections between the APM and a Dsub 9M connector on a CAN card. If the APM is the last node on a CAN bus, the internal terminator resistor can be used by adding a connection on the PC board as shown. The node Node-ID of the APM may be set by using digital inputs, or programmed into flash memory in the drive.



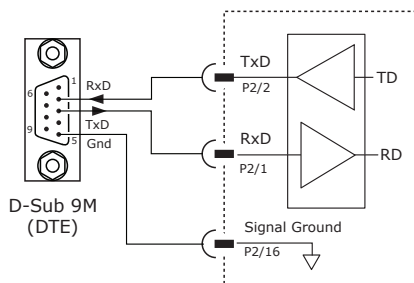
CME2 -> Basic Setup -> Operating Mode Options



RS-232 COMMUNICATIONS

APM is configured via a three-wire, full-duplex DTE RS-232 port that operates from 9600 to 115,200 Baud, 8 bits, no parity, and one stop bit. Signal format is full-duplex, 3-wire, DTE using Rx/D, Tx/D, and Gnd. Connections to the APM RS-232 port are through P2. The graphic below shows the connections between an APM and a computer COM port which is a DTE device.

RS232 PORT



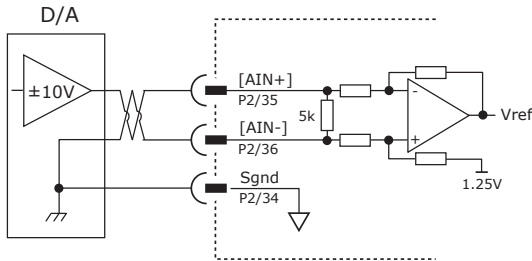
CME2 -> Tools -> Communications Wizard



COMMAND INPUTS

ANALOG COMMAND INPUT

The analog input has a ±10 Vdc range. As a reference input it can take position/velocity/torque commands from a controller.



CME2 -> Basic Setup -> Operating Mode Options

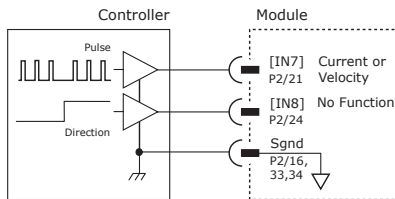


DIGITAL COMMAND INPUTS

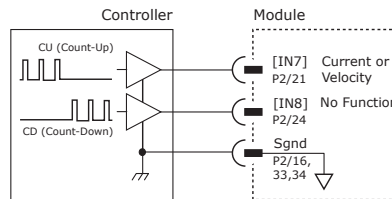
Digital commands are single-ended format and should be sourced from devices with active pull-up and pull-down to take advantage of the high-speed inputs. The active edge (rising or falling) is programmable for the Pulse/Dir and CU/CD formats.

DIGITAL POSITION

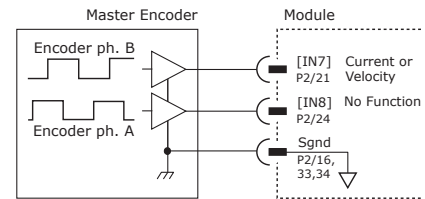
PULSE & DIRECTION



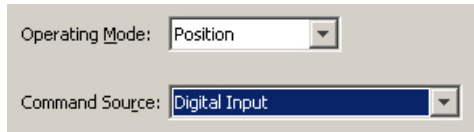
CU/CD



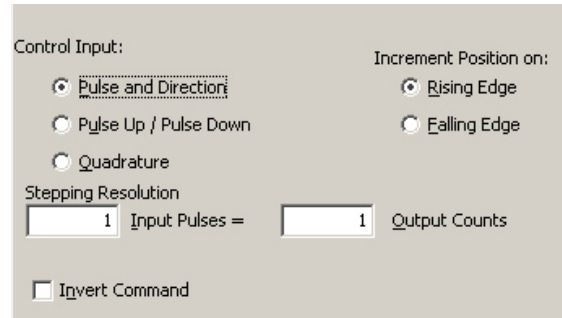
QUAD A/B ENCODER



CME2 -> Basic Setup -> Operating Mode Options

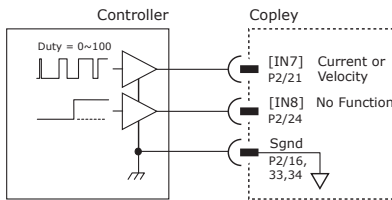


CME2 -> Basic Setup -> Operating Mode Options

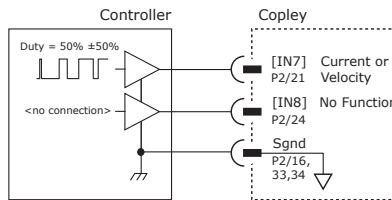


DIGITAL TORQUE, VELOCITY

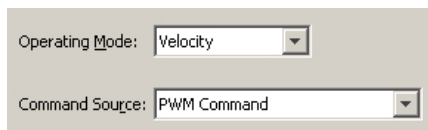
PWM & DIRECTION



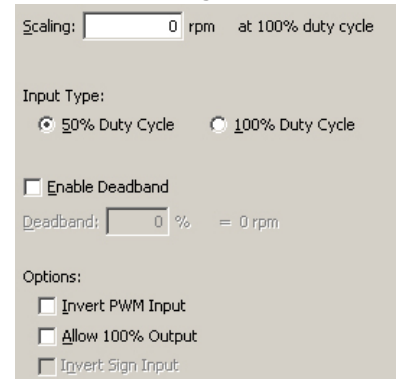
50% PWM



CME2 -> Basic Setup -> Operating Mode Options

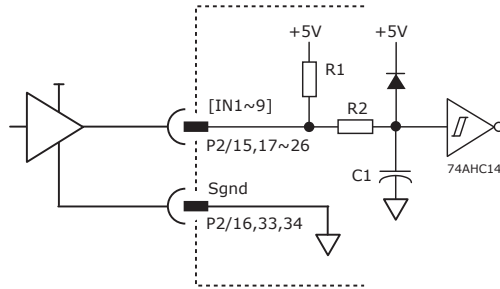


CME2 -> Main Page-> PWM Command



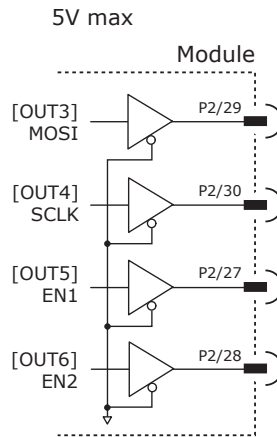
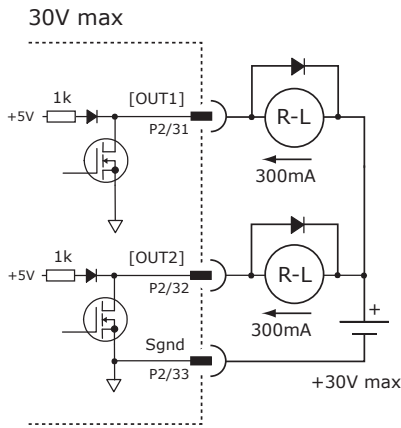
INPUT-OUTPUT

HIGH SPEED DIGITAL INPUTS
7V tolerant



Input	P2 Pin	R1	R2	C1
IN1	15	10k	1k	100p
IN2	18			
IN3	17			
IN4	20			
IN5	19			
IN6	22			
IN7	21			
IN8	24			
IN9	23			
IN10	26			4.99k
IN11	25			33n

DIGITAL OUTPUTS



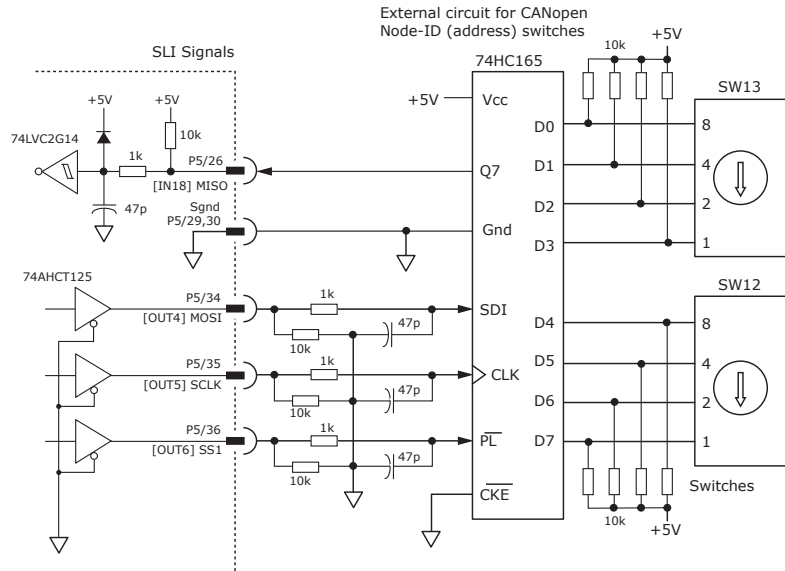
Output	P2 Pin
OUT1	31
OUT2	32
OUT3	29
OUT4	30
OUT5	27
OUT6	28

CAN NODE-ID (ADDRESS) SWITCHES

The SLI (Switch & LED Interface) port takes in the 8 signals from the two BCD encoded switches that set the CAN Node-ID and controls the LEDs on the CAN bus connectors on the Development Kit. The graphic below shows the circuit for reading the CANopen Node-ID switches. The 74HC165 works as a parallel-in/serial-out device. The 10k pull-down resistors pull the shift register inputs to ground when the APM is initializing. In the graphics below, switch SW13 is "S1" and SW12 is "S2". The values of S1 are 16~255 and of S2 are 0~15. Together they provide Node-ID range of 0~255.

CME2 -> Input/Output -> Digital Outputs

Use Switch and LED Interface (SLI)



MOTOR CONNECTIONS

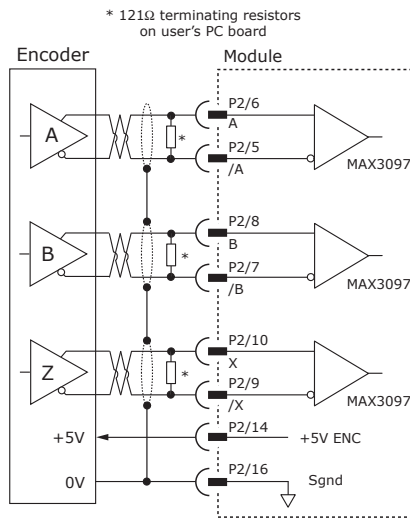
Motor connections consist of: phases, Halls, encoder, thermal sensor, and brake. The phase connections carry the drive output currents that drive the motor to produce motion. The Hall signals are three digital signals that give absolute position feedback within an electrical commutation cycle. The encoder signals give incremental position feedback and are used for velocity and position modes, as well as sinusoidal commutation. A thermal sensor that indicates motor overtemperature is used to shut down the drive to protect the motor. A brake can provide a fail-safe way to prevent movement of the motor when the drive is shut-down or disabled.

QUAD A/B INCREMENTAL ENCODER WITH FAULT PROTECTION

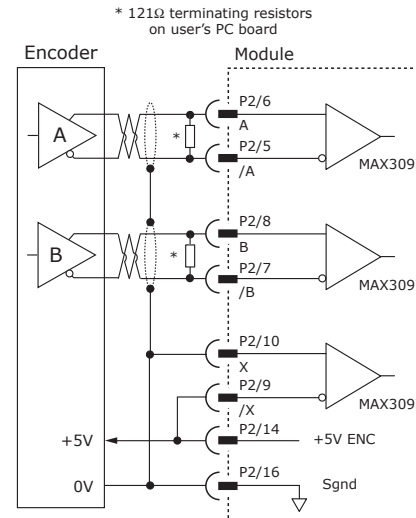
Encoders with differential line-driver outputs provide incremental position feedback via the A/B signals and the optional index signal (X) gives a once per revolution position mark. The MAX3097 receiver has differential inputs with fault protections for the following conditions:

- Short-circuits line-line:* This produces a near-zero voltage between A & /A which is below the differential fault threshold.
 - Open-circuit condition:* The 121Ω terminator resistor will pull the inputs together if either side (or both) is open. This will produce the same fault condition as a short-circuit across the inputs.
 - Low differential voltage detection:* This is possible with very long cable runs and a fault will occur if the differential input voltage is < 200mV.
 - ±15kV ESD protection:* The 3097E has protection against high-voltage discharges using the Human Body Model.
 - Extended common-mode range:* A fault occurs if the input common-mode voltage is outside of the range of -10V to +13.2V
- If encoder fault detection is selected (CME2 main page, Configure Faults block, Feedback Error) and an encoder with no index is used, then the X and /X inputs must be wired as shown below to prevent the unused index input from generating an error for *low differential voltage detection*.

DIGITAL QUADRATURE ENCODER INPUT
5V



A/B CONNECTIONS (NO INDEX)



CME2 -> Motor/Feedback -> Feedback

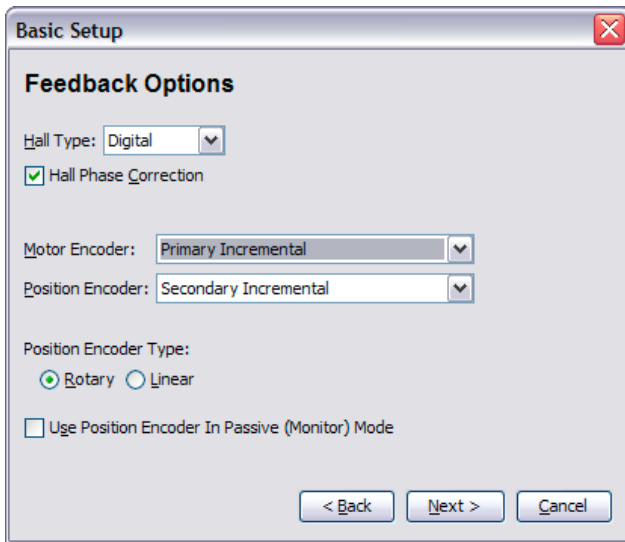
Motor Encoder:

MOTOR CONNECTIONS (CONT'D)

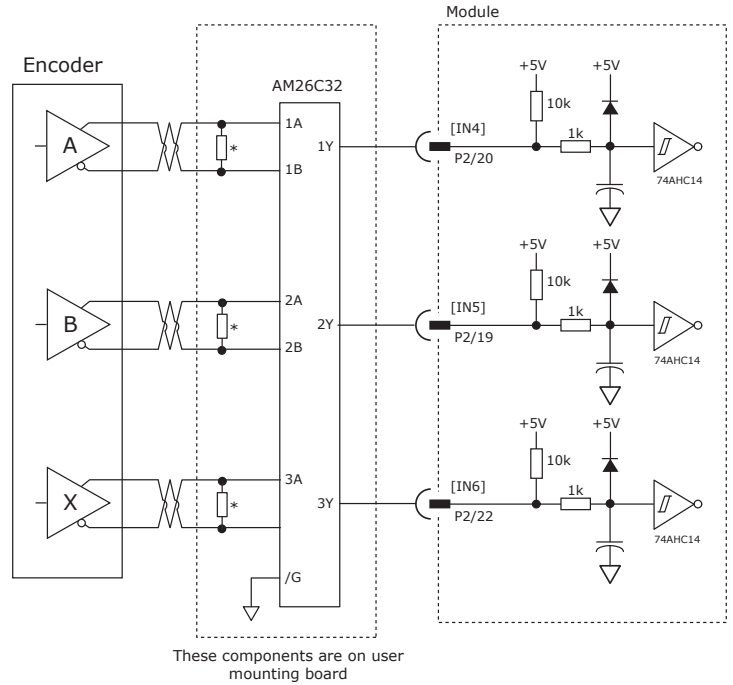
SECONDARY QUAD A/B/X INCREMENTAL ENCODER

Digital inputs [IN4,5,6] can be programmed as secondary encoder inputs. The graphic shows a differential line receiver on the user mounting board to convert typical encoder signals into single-ended ones for the secondary inputs. Single-ended encoders would connect directly to the inputs of the APM.

CME2 -> Basic Setup -> Feedback Options



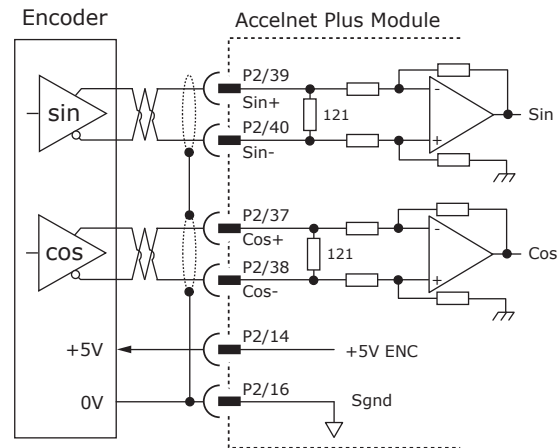
The CME2 screen above shows a Primary Incremental encoder for the motor input. Other types of encoders can be selected for this function. The secondary encoder input can be used for either motor or position feedback.



ANALOG SIN/COS INCREMENTAL ENCODER

The sin/cos inputs are differential with 121 Ω terminating resistors and accept 1 Vp-p signals in the format used by incremental encoders with analog outputs, or with ServoTube motors.

CME2 -> Motor/Feedback -> Feedback



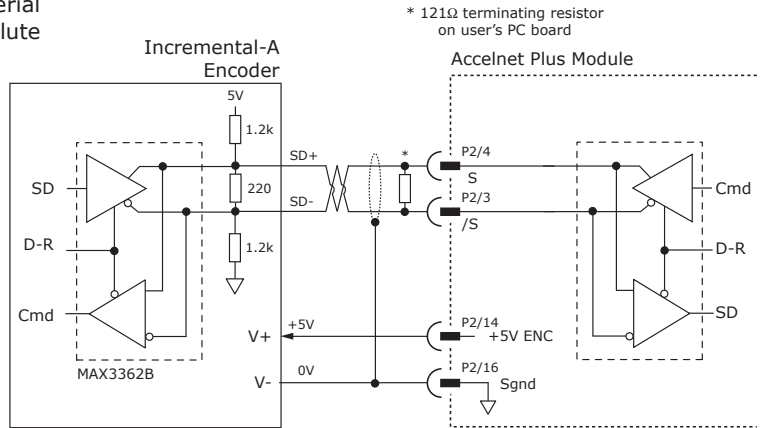
PANASONIC INCREMENTAL A ENCODER

This is a "wire-saving" incremental encoder that sends serial data on a two-wire interface in the same fashion as an absolute encoder.

CME2 -> Basic setup -> Feedback

Bits:

Counts per rev:



ABSOLUTE A ENCODER, TAMAGAWA, AND PANASONIC

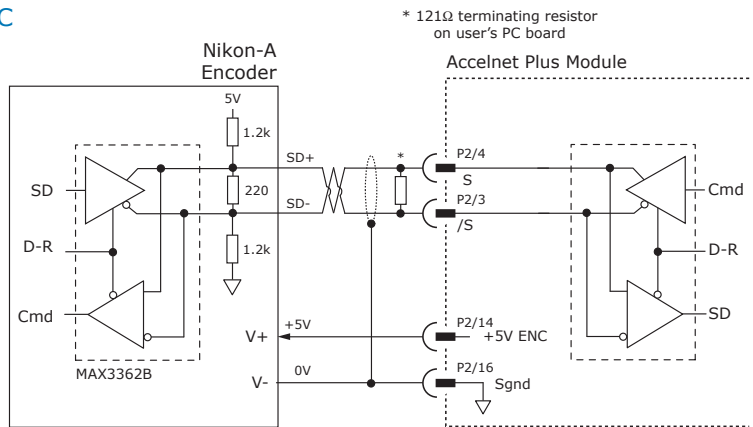
CME2 -> Motor/Feedback -> Feedback

Bits: = counts per rev

Number of Revolutions: turns

Number of Counts Per Rev Bits to Ignore:

Bit Rate: 2.5 MB/s 4 MB/s



SSI ABSOLUTE ENCODER

The SSI (Synchronous Serial Interface) is an interface used to connect an absolute position encoder to a motion controller or control system. The Accelnet drive provides a train of clock signals in differential format (Clk, /Clk) to the encoder which initiates the transmission of the position data on the subsequent clock pulses. The polling of the encoder data occurs at the current loop frequency (16 kHz). The number of encoder data bits and counts per motor revolution are programmable. Data from the encoder in differential format (Dat, /Dat) MSB first. Binary or Gray encoding is selectable. When the LSB goes high and a dwell time has elapsed, data is ready to be read again.

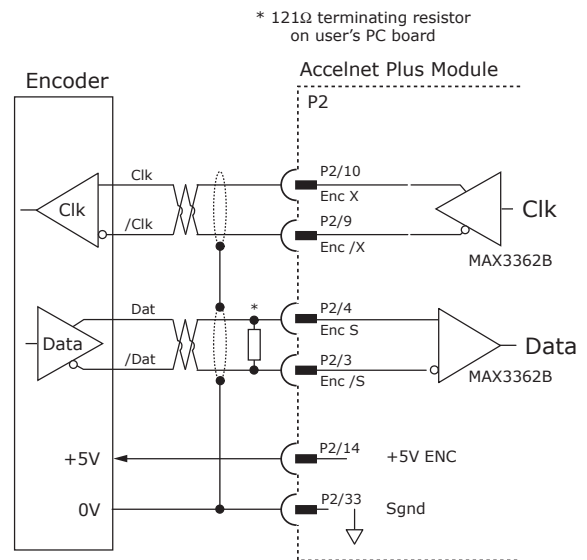
CME2 -> Motor/Feedback -> Feedback

Motor Encoder

counts per rev

number of Encoder Bits

Binary Gray



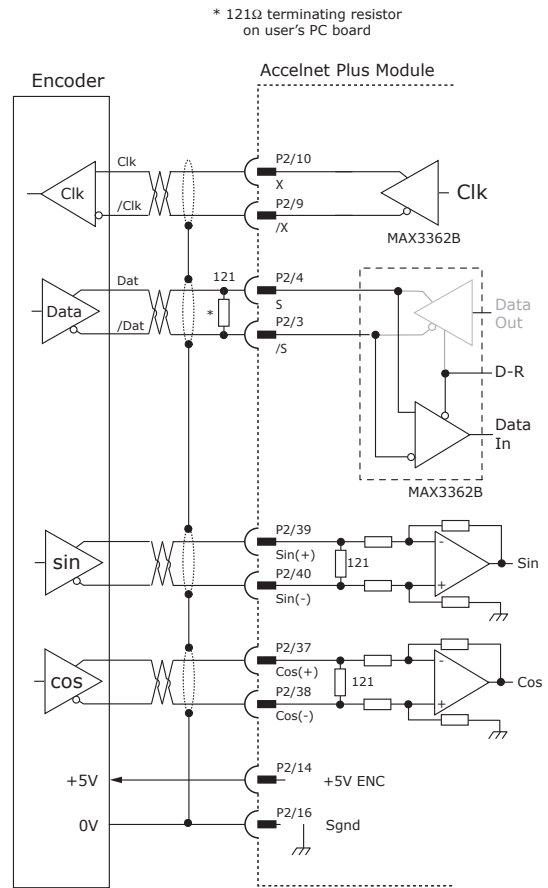
MOTOR CONNECTIONS (CONT'D)

ENDAT ABSOLUTE ENCODER

The EnDat interface is a Heidenhain interface that is similar to SSI in the use of clock and data signals for synchronous digital, bidirectional data transfer. It also supports analog sin/cos channels from the same encoder. The number of position data bits is programmable. Use of sin/cos incremental signals is optional in the EnDat specification.

CME2 -> Motor/Feedback -> Feedback

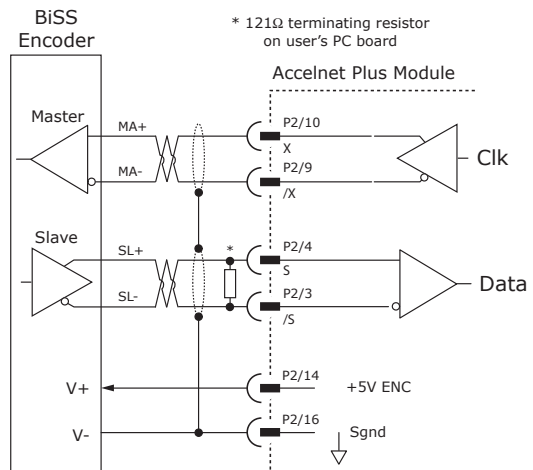
Bits: = counts per rev
 Number of Revolutions: turns
 Enable Incremental 1Vpp sin/cos



BISS (B & C) ABSOLUTE ENCODER

CME2 -> Motor/Feedback -> Feedback

Bits: = counts per rev
 Number of Revolutions: turns
 Number of Alignment Bits:
 BiSS B BiSS C

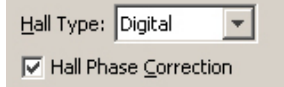


MOTOR CONNECTIONS (CONT'D)

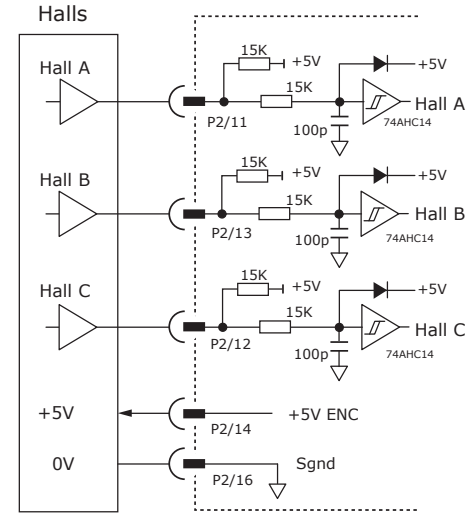
DIGITAL HALL SIGNALS

Hall signals are single-ended signals that provide absolute feedback within one electrical cycle of the motor. There are three of them (U, V, & W) and they may be sourced by magnetic sensors in the motor, or by encoders that have Hall tracks as part of the encoder disc. They typically operate at much lower frequencies than the motor encoder signals, and are used for commutation-initialization after startup, and for checking the motor phasing after the servo drive has switched to sinusoidal commutation.

CME2 -> Basic Setup -> Feedback Options

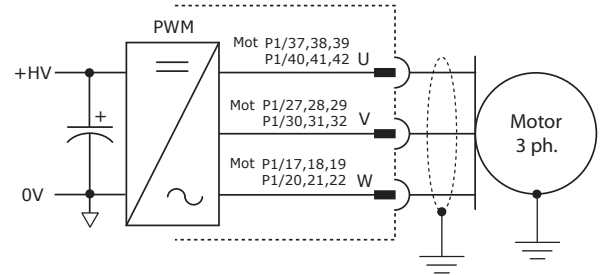


HALL INPUTS 5V

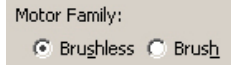


PHASE CONNECTIONS

The drive output is a three-phase PWM inverter that converts the DC bus voltage (+HV) into three sinusoidal voltage waveforms that drive the motor phase-coils. Cable should be sized for the continuous current rating of the drive. Motor cabling should use twisted, shielded conductors for CE compliance, and to minimize PWM noise coupling into other circuits. The motor cable shield should connect to motor frame and the drive HV ground terminal (J2-1) for best results. When driving a DC motor, the W output is unused and the motor connects between the U & V outputs.



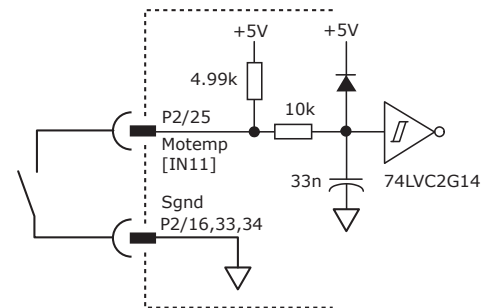
CME2 -> Basic Setup -> Motor Options



MOTOR OVER TEMP INPUT

The 4.99k pull-up resistor works with PTC (positive temperature coefficient) thermistors that conform to BS 4999:Part 111:1987 (table below), or switches that open/close indicating a motor over-temperature condition. The active level is programmable.

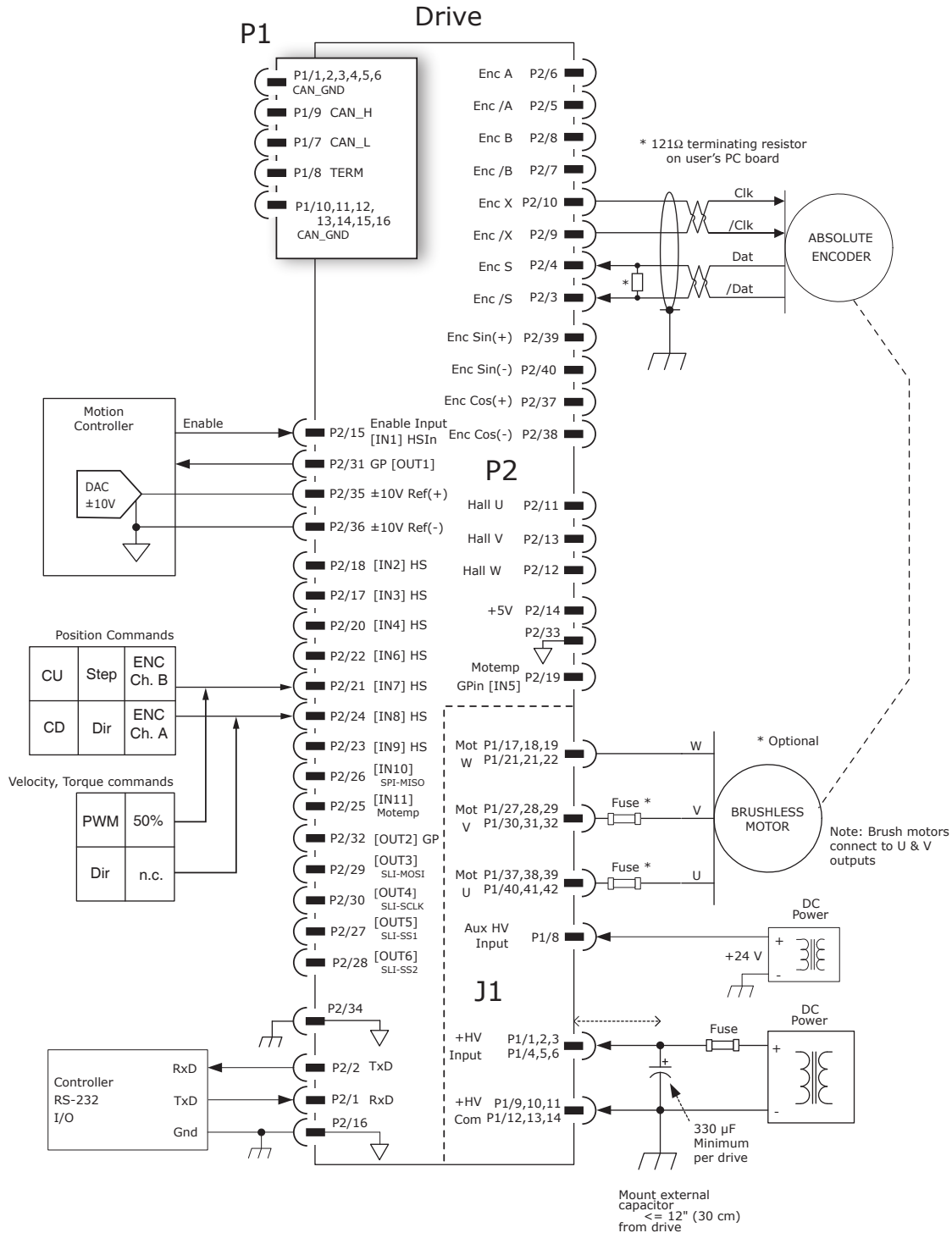
Property	Ohms
Resistance in the temperature range 20°C to +70°C	60~750
Resistance at 85°C	≤1650
Resistance at 95°C	≥3990
Resistance at 105°C	≥12000



CME2 -> Input / Output

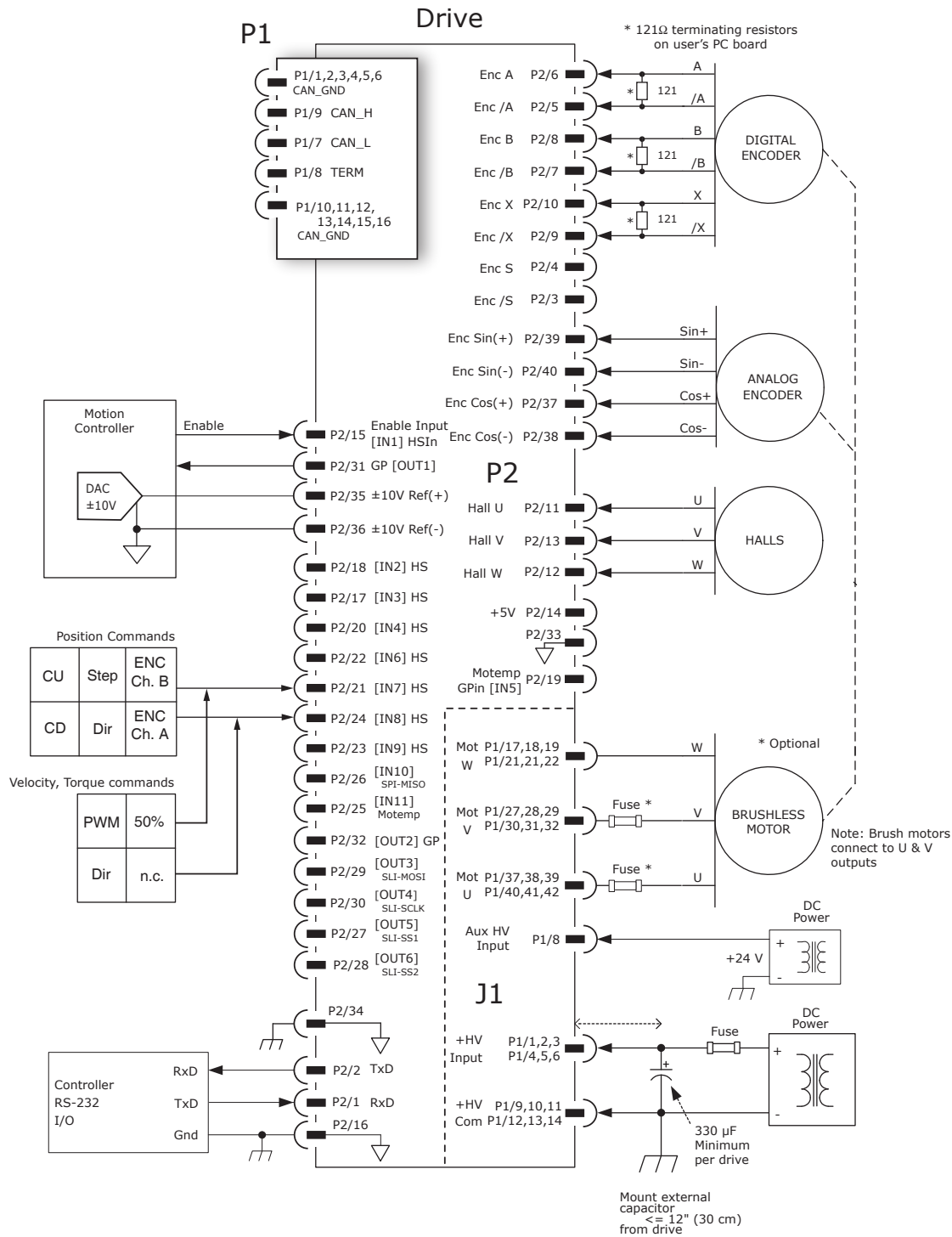


CONNECTIONS FOR ABSOLUTE ENCODER WITH DUPLEX CLOCK/DATA



- Notes:
1. Encoders with this type of connection include BiSS and SSI.

CONNECTIONS FOR INCREMENTAL DIGITAL OR ANALOG ENCODERS



PRINTED CIRCUIT BOARD CONNECTORS & SIGNALS

P1 POWER & MOTOR

Signal	Pin	Signal
+HV	2	+HV
+HV	4	+HV
+HV	6	+HV
Aux HV	8	
HVGnd	10	HVGnd
HVGnd	12	HVGnd
HVGnd	14	HVGnd
	16	
Mot W	18	Mot W
Mot W	20	Mot W
Mot W	22	Mot W
	24	
	26	
Mot V	28	Mot V
Mot V	30	Mot V
Mot V	32	Mot V
	34	
	36	
Mot U	38	Mot U
Mot U	40	Mot U
Mot U	42	Mot U

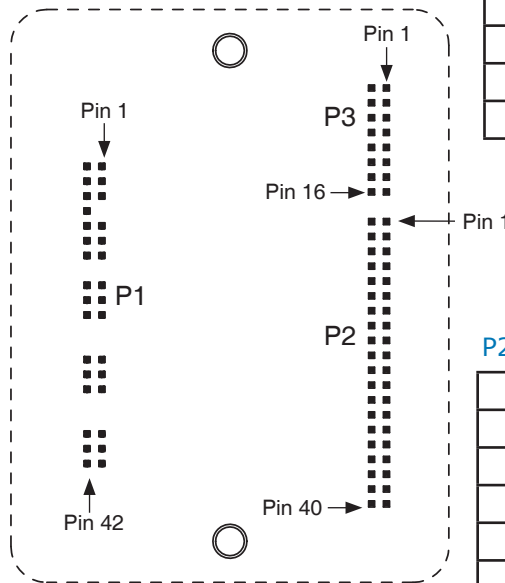
P1: Power & Motor
Dual row, 2 mm- centers
42 position female header
SAMTEC SQW-121-01-L-D

Notes:

1. P1 connections use multiple pins to share current. *All signals of the same name must be connected* on the PC board to which the APM is mounted.
2. Cells in table above that are filled in grey are connector contacts that have no circuit connections.

TOP VIEW

Viewed from above looking down on the connectors or PC board footprint to which the module is mounted



P3 CANOPEN

Signal	Pin	Signal
CAN_GND	2	CAN_GND
CAN_GND	4	CAN_GND
CAN_GND	6	CAN_GND
Term	8	CAN_L
CAN_GND	10	CAN_H
CAN_GND	12	CAN_GND
CAN_GND	14	CAN_GND
CAN_GND	16	CAN_GND

P2: Control
Dual row, 2 mm- centers
16 position female header
SAMTEC SQW-108-01-L-D

P2 CONTROL

Signal	Pin	Signal
RS-232 TxD	2	RS-232 RxD
Enc S	4	Enc /S
Enc A	6	Enc /A
Enc B	8	Enc /B
Enc X	10	Enc /X
Hall W	12	Hall U
+5V ENC	14	Hall V
Sgnd	16	[IN1] HS
HS [IN2]	18	[IN3] HS
HS [IN4]	20	[IN5] HS
HS [IN6]	22	[IN7] HS
HS [IN8]	24	[IN9] HS
MISO [IN10]	26	[IN11] Motemp
[OUT6]	28	[OUT5] SLI-SS1
SLI-SCLK [OUT4]	30	[OUT3] SLI-MOSI
MOSFET [OUT2]	32	[OUT1] MOSFET
Sgnd	34	Sgnd
Ref(-)	36	Ref(+)
Enc Cos(-)	38	Enc Cos(+)
Enc Sin (-)	40	Enc Sin(+)

P2: Control
Dual row, 2 mm- centers
40 position female header
SAMTEC SQW-120-01-L-D

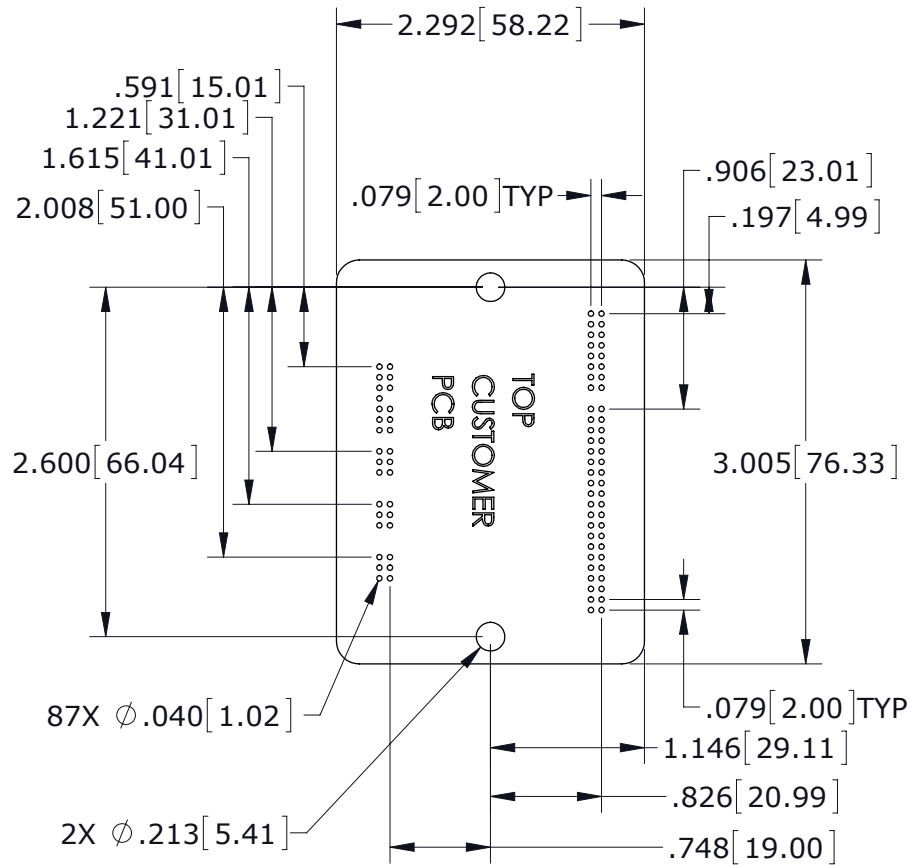
PRINTED CIRCUIT BOARD FOOTPRINT

Dimensions are in [mm]

TOP VIEW

Viewed from above looking down on the connectors or PC board footprint to which the module is mounted

J1 Signal Grouping for current-sharing See Note 1



PCB Hardware:

Qty	Description	Mfgr	Part Number	Remarks
1	Socket Strip	Samtec	SQW-121-01-L-D	J1 HV & Motor
1	Socket Strip	Samtec	SQW-120-01-L-D	J2 Control
1	Socket Strip	Samtec	SQW-108-01-L-D	J3 CANopen
2	Standoff	PEM	KFE-4/40-8ET	#4/40 X 1/4"

Additional Hardware (not shown above)

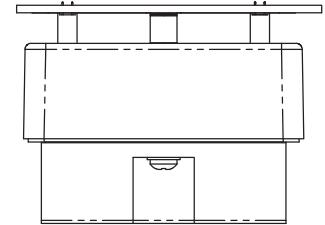
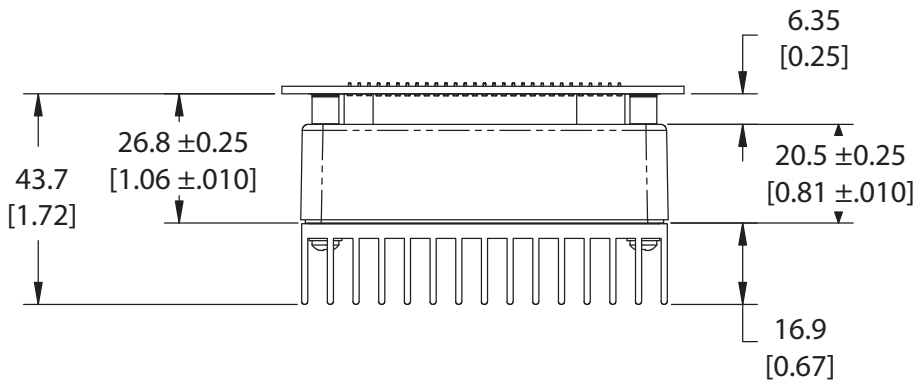
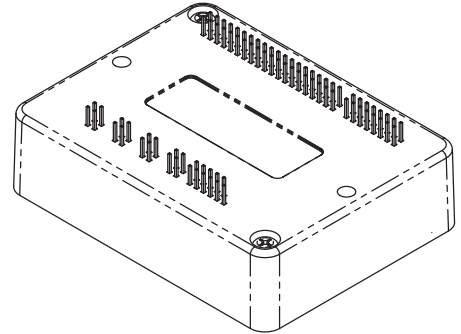
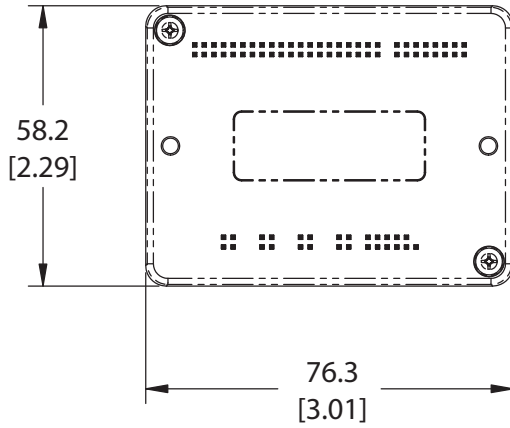
2	Screw, #4-40 x 1.25" Phillips Pan Head External Tooth Lockwasher SEMS, Stainless, or steel with nickel plating, Torque to 3~5 lb-in (0.34~0.57 N-m)
---	---

Notes

- J1 signals of the same name must be connected for current-sharing (see graphic above).
- To determine copper width and thickness for J3 signals refer to specification IPC-2221. (Association Connecting Electronic Industries, <http://www.ipc.org>)
- Standoffs or mounting screws should connect to etch on pc board that connect to frame ground for maximum noise suppression and immunity.

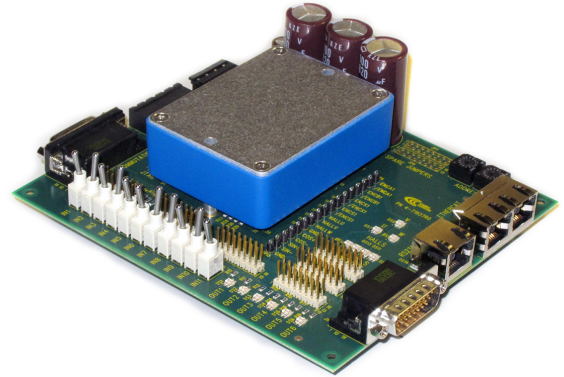
DIMENSIONS

Units: mm [in]



DESCRIPTION

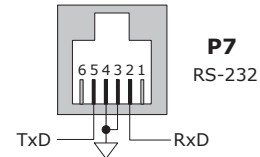
The Development Kit provides mounting and connectivity for one APM drive. Solderless jumpers ease configuration of inputs and outputs to support their programmable functions. Switches can be jumpered to connect to digital inputs 1~11 so that these can be toggled to simulate equipment operation. Six LED's provide status indication for the digital outputs. Dual CANopen connectors make daisy-chain connections possible so that other CANopen devices such as Copley's Accelnet Plus or Xenus Plus CANopen drives can easily be connected.



RS-232 CONNECTION

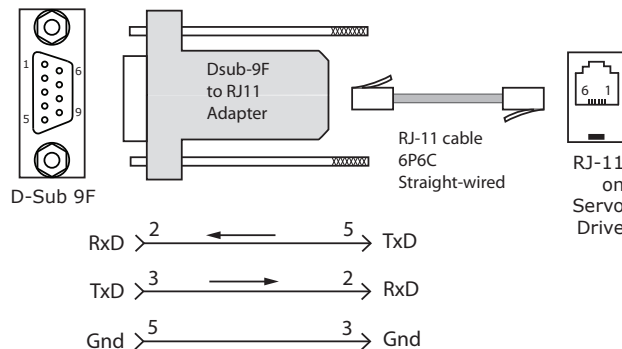
The RS-232 port is used to configure the drive for stand-alone applications, or for configuration before it is installed into an CANopen network. CME 2™ software communicates with the drive over this link and is then used for complete drive setup. The CANopen Slave Node-ID that is set by the rotary switch can be monitored, and a Node-ID offset programmed as well.

The RS-232 connector, J9, is a modular RJ-11 type that uses a 6-position plug, four wires of which are used for RS-232. A connector kit is available (SER-CK) that includes the modular cable, and an adaptor to interface this cable with a 9-pin RS-232 port on a computer.



SER-CK SERIAL CABLE KIT

The SER-CK provides connectivity between a D-Sub 9 male connector and the RJ-11 connector J9 on the Development Kit. It includes an adapter that plugs into the COM1 (or other) port of a PC and uses common modular cable to connect to the Development Kit. The connections are shown in the diagram below.



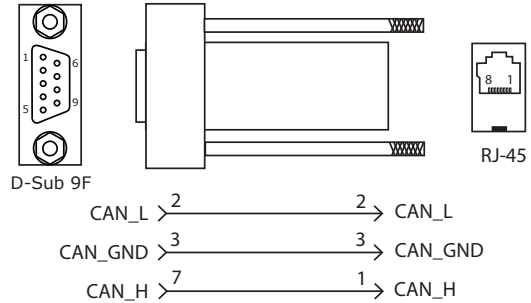
Don't forget to order a Serial Cable Kit SER-CK when placing your order for a Development Kit!

CANOPEN CONNECTORS

Dual RJ-45 connectors that accept standard Ethernet cables are provided for CAN bus connectivity. Pins are wired-through so that drives can be daisy-chained and controlled with a single connection to the user's CAN interface. A CAN terminator should be placed in the last drive in the chain. The APM-NK connector kit provides a D-Sub adapter that plugs into a CAN controller and has an RJ-45 socket that accepts the Ethernet cable.

APK-NK CAN CONNECTOR KIT

The kit contains the XTL-CV adapter that converts the CAN interface D-Sub 9M connector to an RJ-45 Ethernet cable socket, plus a 10 ft (3 m) cable and terminator. Both connector pin-outs conform to the CiA DR-303-1 specification.



INDICATORS (LEDS)

The AMP LED on J9 shows the operational state of the APM. The STATUS LED on J9 shows the state of the CANopen NMT (Network Management) state-machine in the drive. LEDs on J10 show activity on the CANopen network. Details on the NMT state-machine can be found in the CANopen Programmers Manual, §3.1: <http://www.copleycontrols.com/Motion/pdf/CANopenProgrammersManual.pdf>

AMP LED

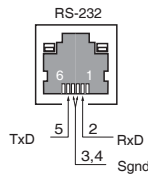
A single bi-color LED gives the state of the APM by changing color, and either blinking or remaining solid. The possible color and blink combinations are:

- *Green/Solid:* Drive OK and enabled. Will run in response to reference inputs or CANopen commands.
- *Green/Slow-Blinking:* Drive OK but NOT-enabled. Will change to *Green/Solid* when enabled.
- *Green/Fast-Blinking:* Positive or Negative limit switch active. Drive will only move in direction not inhibited by limit switch.
- *Red/Solid:* Transient fault condition. Drive will resume operation when fault is removed.
- *Red/Blinking:* Latching fault. Operation will not resume until drive is Reset.

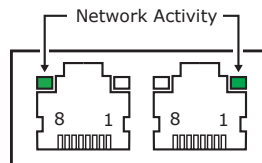
Drive Fault conditions. Faults are programmable to be either transient or latching:

- Over or under-voltage
- Motor over-temperature
- Encoder +5 Vdc fault
- Short-circuits from output to ground
- Drive over-temperature
- Internal short circuits
- Short-circuits from output to output

J9 RS-32 SERIAL



J10 CAN CONNECTIONS



STATUS LED

A single bi-color LED gives the state of the NMT state-machine by changing color, and either blinking or remaining solid. The possible color and blink combinations are:

GREEN (RUN)

- Off *Init*
- Blinking *Pre-operational*
- Single-flash *Stopped*
- On *Operational*

Note: Red & green led on-times do not overlap. LED color may be red, green, off, or flashing of either color.

Green-Green-Red is actually a combination of single-flash Red (Warning Limit reached) and Blinking Green (Pre-Operational) When the green-red combination is seen, it appears as a single red!

RED (ERROR)

- Off *No error*
- Blinking *Invalid configuration, general configuration error*
- Single Flash *Warning limit reached*
- Double Flash *Error Control Event (guard or heartbeat event) has occurred*
- Triple Flash *Sync message not received within the configured period*
- On *Bus Off, the CAN master is bus off*

ACTIVITY LEDS

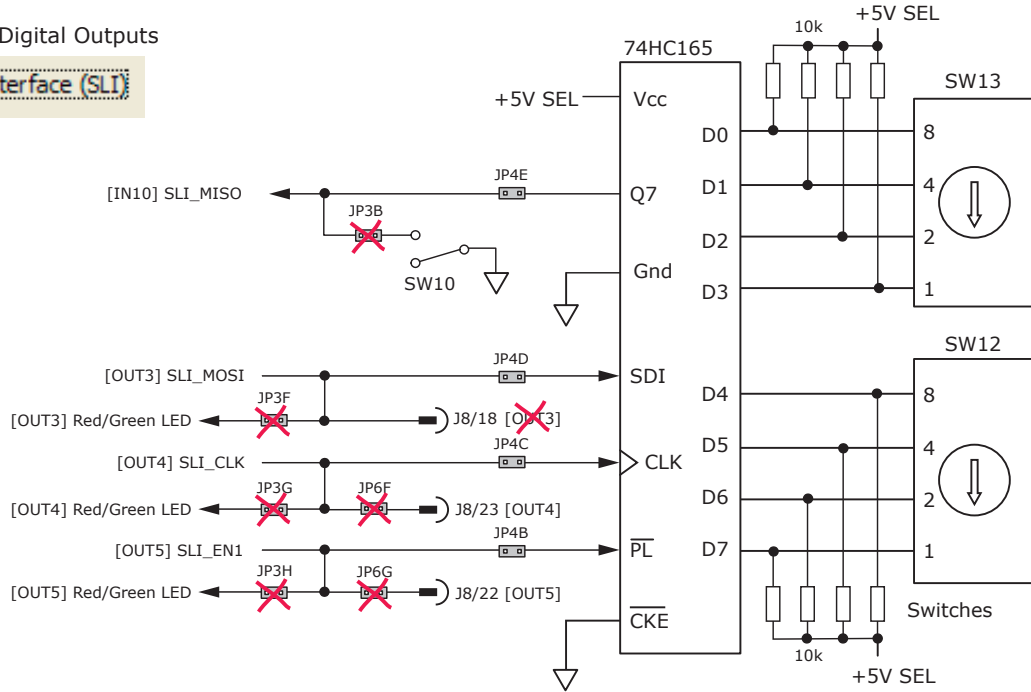
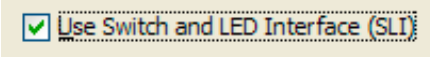
- *Flashing indicates the APM is sending/receiving data via the CAN port*

CANOPEN NODE-ID (ADDRESS) SWITCH CONNECTIONS

The graphic below shows the connections to the CANopen Node-ID switches. These are read after the drive is reset, or powered-on. When changing the settings of the switches, be sure to either reset the drive, or to power it off-on. Outputs [OUT3,4,5] and input [IN10] operate as an SLI (Switch & LED Interface) port which reads the settings on the CANopen Node-ID switches, and controls the LEDs on the serial and CANopen port connectors.

The jumpers marked with red "X" should be removed so that SW10, or external connections to the signals do not interfere with the operation of the SLI port.

CME2 -> Input/Output -> Digital Outputs



The jumpers marked with red "X" should be removed so that SW18, or external connections to the signals do not interfere with the operation of the SLI port.

5V POWER SOURCES

The feedback connector J7 has connections for two power supplies:

Pin 6 has +5V supplied by the APM module

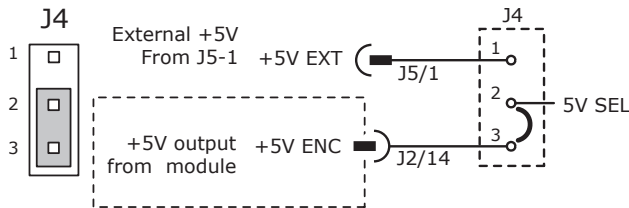
Pin 17 connects to jumper J4 for the selection of the 5V power source:

On J4, when the jumper connects pins 2 & 3, the power source is the APM internal supply (the default setting)

When the jumper is on pins 1 & 2, the power source comes from an external power supply connecting to J5-1.

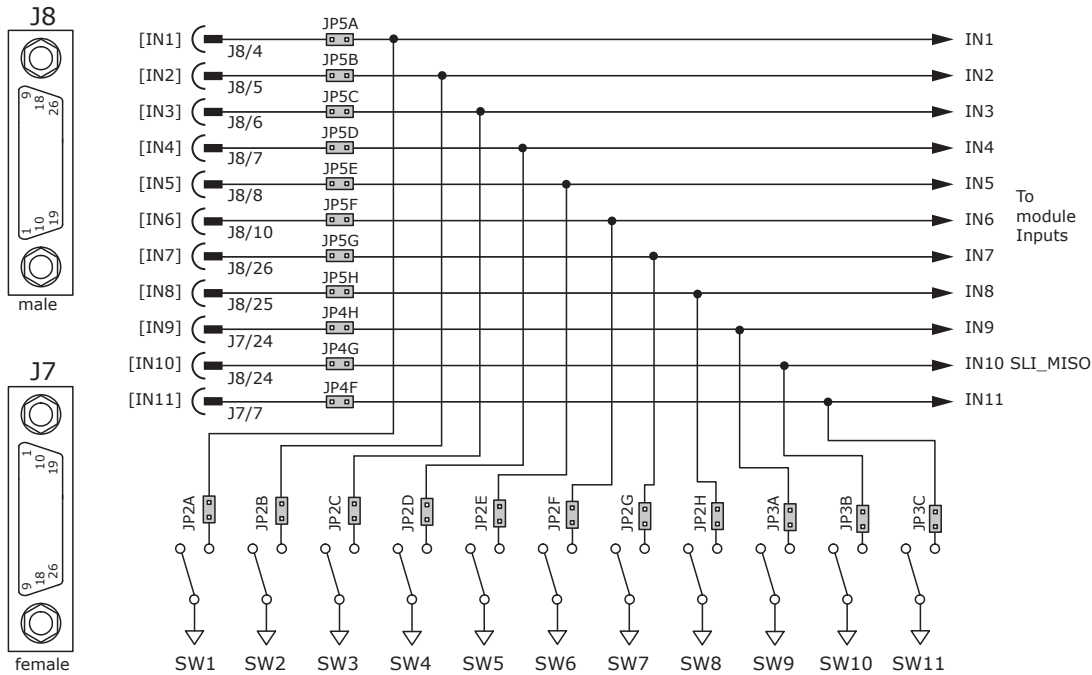
5V power on the Development Kit that comes from the selectable 5V power source on J4 is labeled "5V SEL".

Circuits powered by 5V supplied only by the APM are labeled "5V APM"



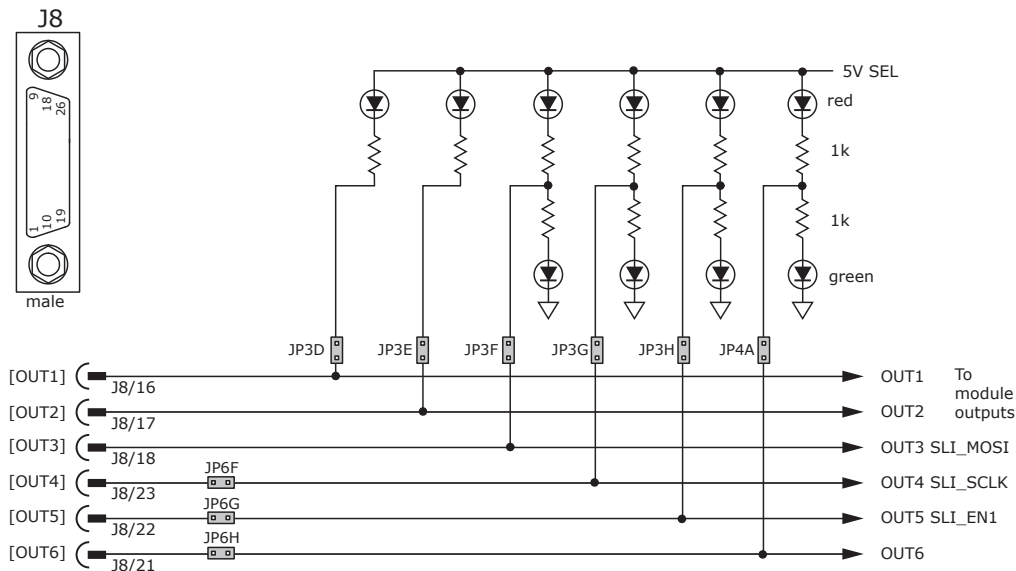
LOGIC INPUTS & SWITCHES

The Development Kit has jumpers that can connect the APM digital inputs to switches on the kit, or to the Signal connector J8. As delivered, all of these jumpers are installed as shown. If connecting to external devices that actively control the level of an input, it is desirable to disconnect the switch which could short the input to ground. For example, if [IN1] is connected to an external device for the Enable function, then jumper JP2A should be removed to take the switch SW1 out of the circuit. The figure below shows these connections.



LOGIC OUTPUTS

There are six logic outputs that can drive controller logic inputs or relays. If relays are driven, then flyback diodes must be connected across their terminals to clamp overvoltages that occur when the inductance of the relay coil is suddenly turned off. Outputs 3,4,5 & 6 are CMOS types that pull up to 5V or down to ground. When these outputs go high it turns on the green LED. When they are low, the red LED is turned on. Outputs 1 & 2 are MOSFET types that sink current when ON, and appear as open-circuit when OFF. When these outputs are ON a red LED is turned on. When the outputs are OFF, the red LED is off. The green LED is not used on these outputs.



MOTOR FEEDBACK CONNECTOR J7

For motors with differential encoders: install jumpers JP1B, JP1D, JP1F, and JP1H to connect 121 ohm terminators across inputs
Jumpers JP1A, JP1C, JP1E, and JP1G do not affect this setting and may remain in place or be removed.

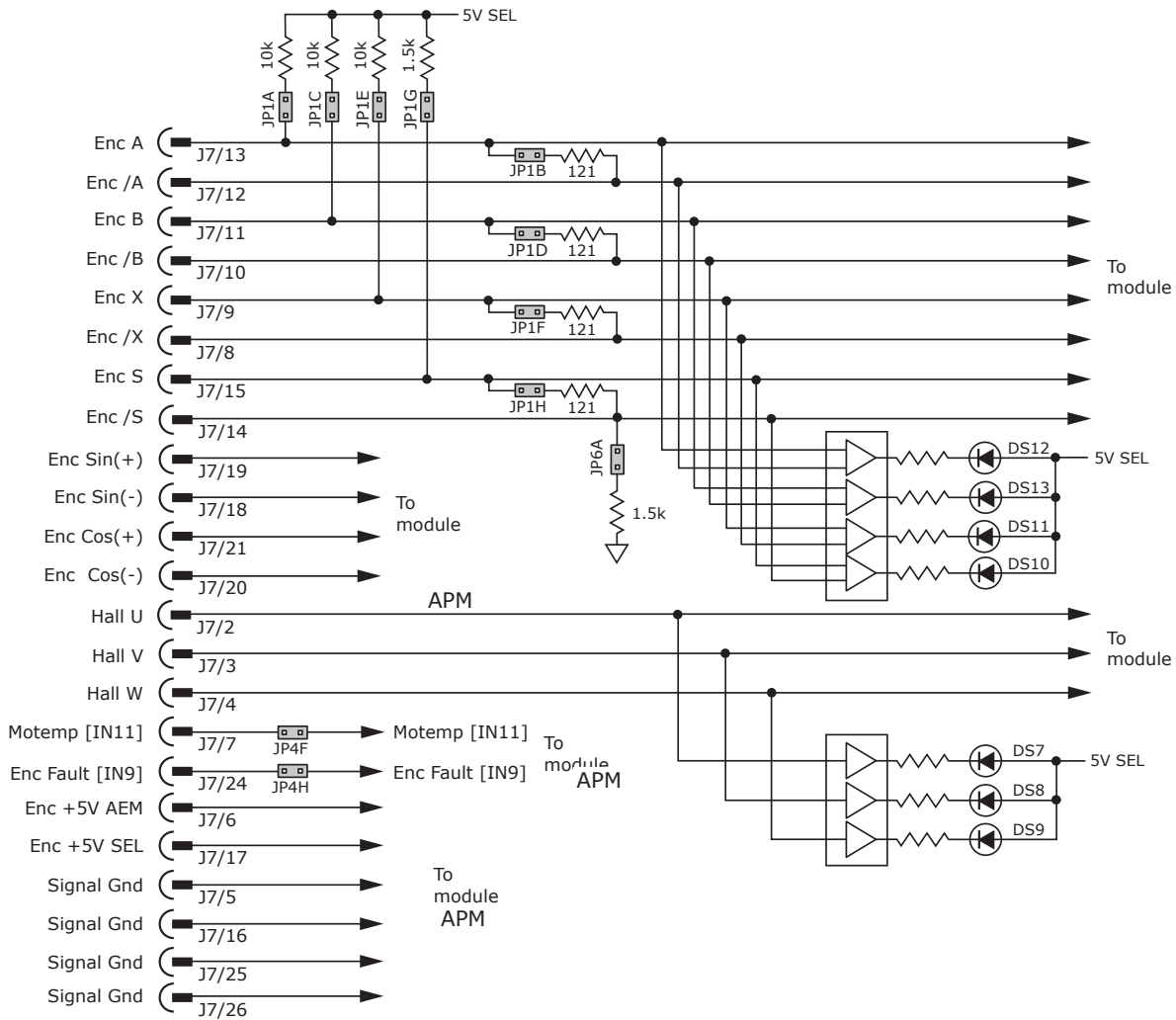
For motors with single-ended encoders: remove jumpers JP1B, JP1D, JP1F, and JP1H to disconnect 121 ohm terminators
Install jumpers JP1A, JP1C, JP1E, and JP1G

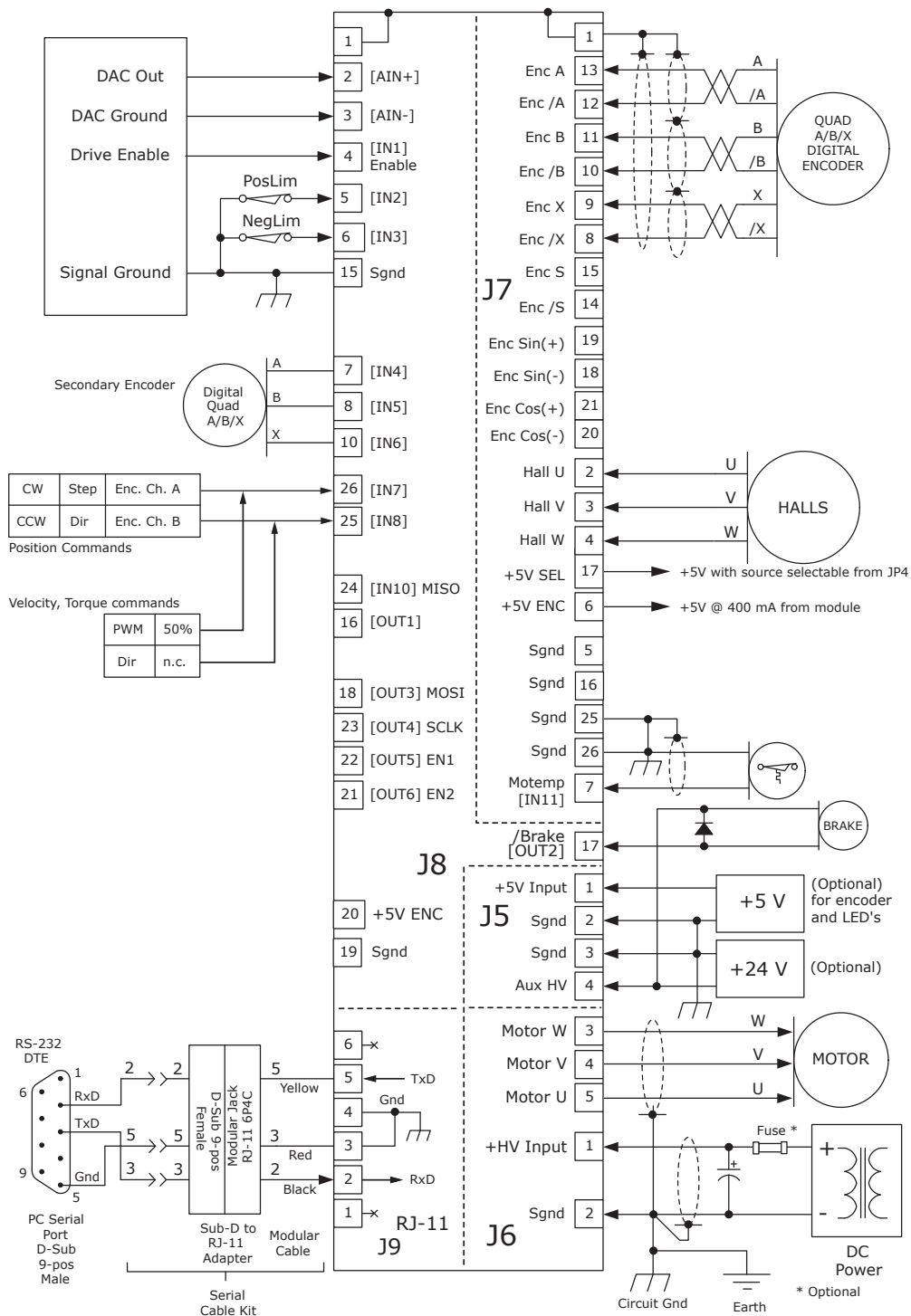
A motor temperature sensor that connects to [IN11] must have jumper JP4F installed and JP3C removed to prevent switch SW11 from grounding the Motemp[IN11] signal.

If the encoder has a fault output, then jumper JP4H must be in place and jumper JP3A must be removed to prevent switch SW9 from grounding the Enc Fault [IN9] signal.

Absolute encoders such as the Nikon A type that use 2-wire bidirectional signals require biasing the lines when they are in a quiescent state. Jumpers JP1G, JP1H, and JP6A must be in place to provide line termination and biasing.

LED's are provided to show the status of the encoder and Hall signals.





Notes:

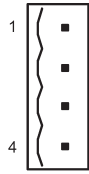
1. CANopen connectors J10 are not shown here. For details see pp 4 & 13.

DEVELOPMENT KIT

The Development Kit mounts a single APM module and enables the user to test and operate the APM before it is mounted onto a PC board in the target system.

J5 AUX HV & EXT 5V

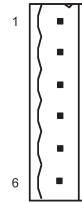
Signal	Pin
+5V Ext	1
Gnd	2
Gnd	3
Aux HV Input	4



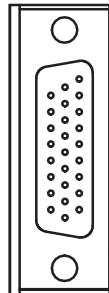
J5
HV &
Aux

J6 MOTOR

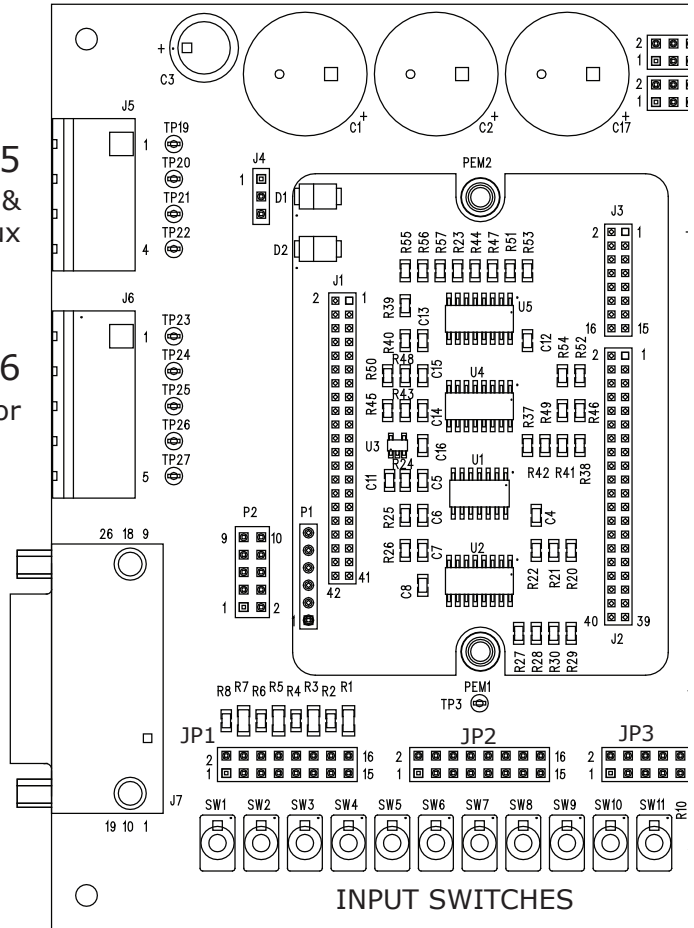
Signal	Pin
+HV Input	1
HV Gnd	2
Motor W	3
Motor V	4
Motor U	5



J6
Motor



J7
Feedback



J7 FEEDBACK

PIN	SIGNAL	PIN	SIGNAL	PIN	SIGNAL
26	Signal Gnd	18	Sin(-)	9	Enc X
25	Signal Gnd	17	+5 Vdc Out	8	Enc /X
24	[IN9] Enc Fault*	16	Signal Gnd	7	[IN11] Motemp*
23	n.c.	15	Enc S	6	+5 Vdc Out
22	n.c.	14	Enc /S	5	Signal Gnd
21	Cos(+)	13	Enc A	4	Hall W
20	Cos(-)	12	Enc /A	3	Hall V
19	Sin(+)	11	Enc B	2	Hall U
		10	Enc /B	1	Frame Gnd

* Signal connections on the PC board are affected by jumper placement

J11 CAN NETWORK TERMINATOR

Pins	Function	1	2	3
1-2	Terminator ON	<input type="checkbox"/>	<input type="checkbox"/>	<input type="checkbox"/>
2-3	Terminator OFF	<input type="checkbox"/>	<input type="checkbox"/>	<input type="checkbox"/>

J10 CANOPEN

Pin	Signal
1	CAN_H
2	CAN_L
3	CAN_GND
4	Pass-thru
5	Pass-thru
6	Pass-thru
7	CAN_GND
8	Pass-thru

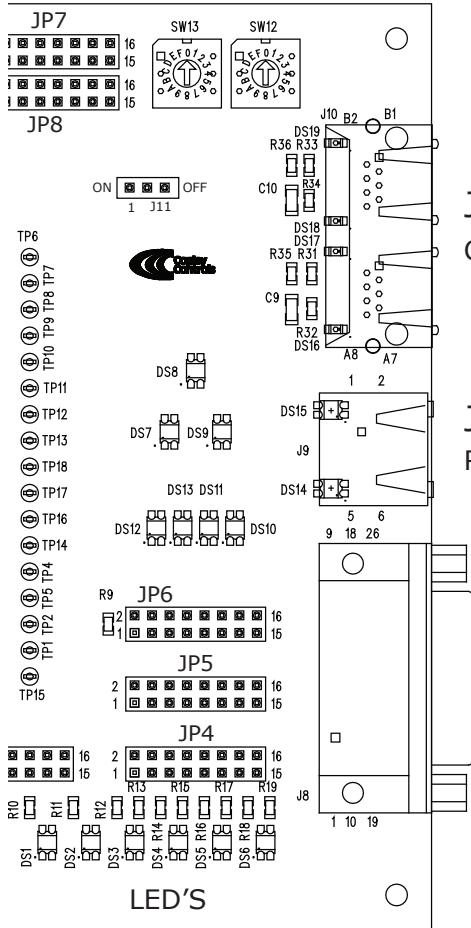
J9 RS-232

Pin	Signal
1	n.c.
2	RxD
3	Sgnd
4	Sgnd
5	TxD
6	n.c.

J8 CONTROL

PIN	SIGNAL	PIN	SIGNAL	PIN	SIGNAL
9	n.c.	18	[OUT3] MOSI*	26	[IN7] HS*
8	[IN5] HS*	17	[OUT2]	25	[IN8] HS*
7	[IN4] HS*	16	[OUT1]	24	[IN10] MISO*
6	[IN3] HS*	15	Signal Gnd	23	[OUT4] SCLK*
5	[IN2] HS*	14	n.c.	22	[OUT5] SS1*
4	[IN1] HS*	13	n.c.	21	[OUT6]
3	[AIN-]	12	n.c.	20	+5 Vdc Out
2	[AIN+]	11	n.c.	19	Signal Gnd
1	Frame Gnd	10	[IN6] HS*		

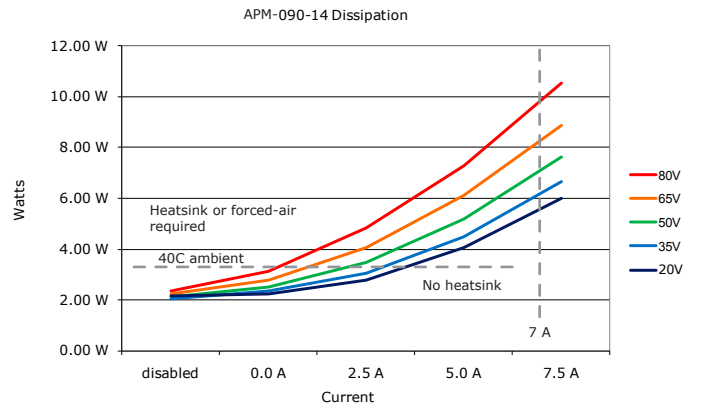
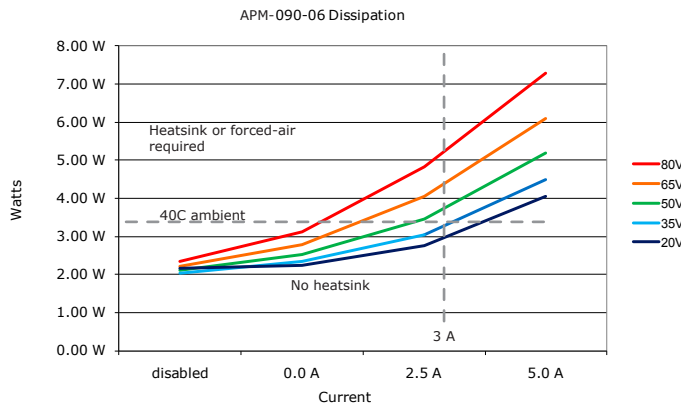
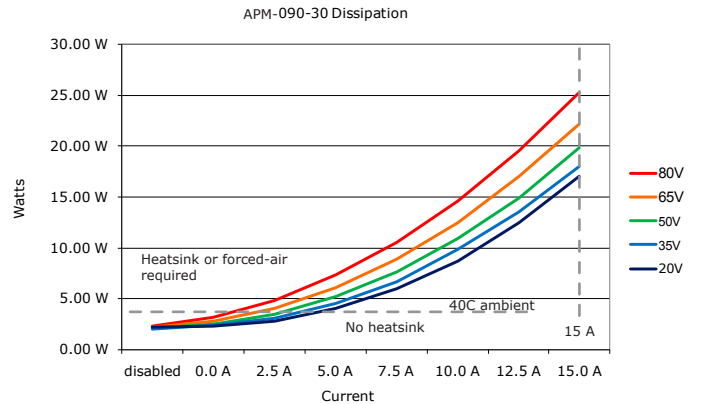
Node-ID (address) SWITCHES



POWER DISSIPATION

The charts on this page show the drive's internal power dissipation for different models under differing power supply and output current conditions. Drive output current is calculated from the motion profile, motor, and load conditions. The values on the chart represent the rms (root-mean-square) current that the drive would provide during operation. The +HV values are for the average DC voltage of the drive power supply.

To see if a heatsink is required or not, the next step is to determine the temperature rise the drive will experience when it's installed. For example, if the ambient temperature in the drive enclosure is 40 °C, and the heatplate temperature is to be limited to 70° C or less to avoid shutdown, the maximum rise would be 70C - 40C. or 30° C. Dividing this dissipation by the thermal resistance of 9° C/W with no heatsink gives a dissipation of 3.33W. This line is shown in the charts. For power dissipation below this line, no heatsink is required. The vertical dashed line shows the continuous current rating for the drive model.

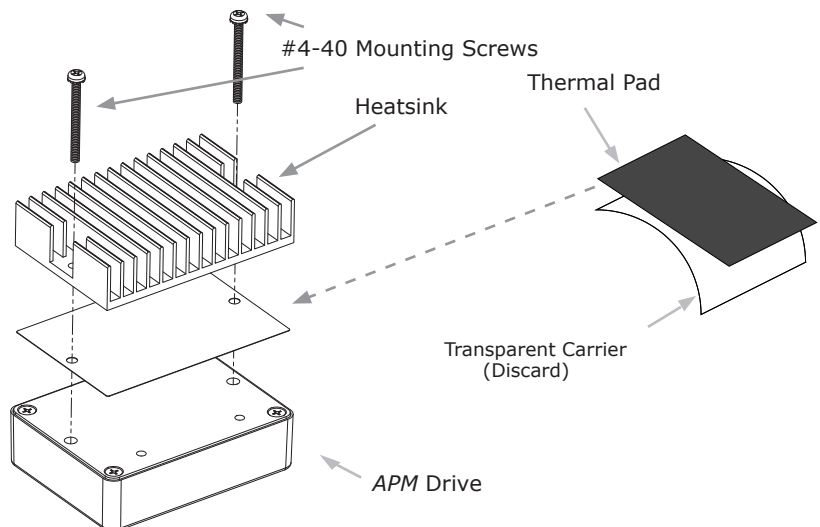


HEATSINK INSTALLATION USING THE APM-HK HEATSINK KIT

An AOS Micro Faze thermal pad is used in place of thermal grease. This material comes in sheet form and changes from solid to liquid form as the drive warms up. This forms an excellent thermal path from drive heatplate to heatsink for optimum heat transfer.

STEPS TO INSTALL

1. Remove the thermal pad from the clear plastic carrier.
2. Place the thermal pad on the Accelnet aluminum heatplate taking care to center the thermal pad holes over the holes in the drive body.
3. Mount the heatsink onto the thermal pad again taking care to see that the holes in the heatsink, thermal pad, and drive all line up.
4. Torque the #4-40 mounting screws to 3~5 lb-in (0.34~0.57 N·m).



HEATSINK OPTIONS

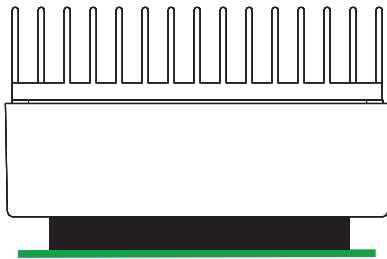
Rth expresses the rise in temperature of the drive per Watt of internal power loss. The units of Rth are °C/W, where the °C represent the rise above ambient in degrees Celsius. The data below show thermal resistances under convection, or fan-cooled conditions for the no-heatsink, and APM-HS heatsink.

NO HEATSINK



NO HEATSINK	C/W
CONVECTION	9.1
FORCED AIR (300 LFM)	3.3

STANDARD HEATSINK (APM-HK)



WITH HEATSINK	C/W
CONVECTION	5.3
FORCED AIR (300 LFM)	1.1

**THIS PAGE
LEFT BLANK
INTENTIONALLY**

MASTER ORDERING GUIDE

APM-090-06	Accelnet APM servo drive, 3/6 A, 90 Vdc
APM-090-14	Accelnet APM servo drive, 7/14 A, 90 Vdc
APM-090-30	Accelnet APM servo drive, 15/30 A, 90 Vdc
APK-090-01	Development Kit for APM servo drive

ACCESSORIES

	QTY	DESCRIPTION
Connector Kit for Development Kit APK-CK-01	1	Connector, Euro, 5 Terminal, 5.08 mm
	1	Connector, Euro, 4 Terminal, 5.08 mm
	1	26 Pin Connector, High Density, D-Sub, Male, Solder Cup
	2	26 Pin Connector, High Density, D-Sub, Female, Solder Cup
	1	26 Pin Connector Backshell
CANopen Network Kit APK-NK	1	Adapter Assy, DB9 Female to RJ45 Jack (APK-CV)
	1	CANopen Network Cable, 10 ft. (APK-NC-10)
	1	CANopen Network Terminator (APK-NT)
Heatsink Kit APM-HK	1	Heatsink for APM
	1	Heatsink Thermal Pad
	2	Screws, #4/40 x 1.25", SEMS
APK-CV		Adapter Assembly, DB9 Female to RJ45 Jack
APK-NC-10		CANopen Network Cable, 10 ft
APK-NC-01		CANopen network cable, 1 ft
APK-NT		CANopen Network Terminator
CME 2		CME 2 Drive Configuration Software on CD-ROM
SER-CK		Serial Cable Kit

16-01586 Document Revision History

Revision	Date	Remarks
00	March 7, 2017	Initial released version

Note: Specifications subject to change without notice